

15

BTO 1

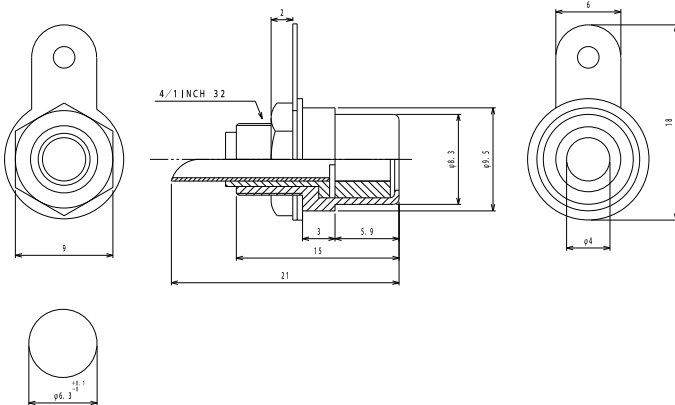
RCA connectors



RCA chassis socket acc. to JEITA RC-5231, with solder eyes,
for front side mounting

15

BTO 1



Environmental conditions

Temperature range -20 °C/+70 °C

Materials

Insulating body	ABS, HB according to UL94
Inner contact	Cu alloy, nickel-plated
Outer contact	CuZn, nickel-plated
Lötkontakt	steel, nickel-plated
Hexagonal nut	CuZn, nickel-plated
Washer	steel, nickel-plated

Mechanical data

Mating cycles	≥ 500
Insertion force	≤ 30 N
Withdrawal force	3–30 N

Electrical data (at T_{amb} 20 °C)

Contact resistance	≤ 30 mΩ
Rated current	1 A
Rated voltage	12 V DC
Rated impulse voltage	250 V/60 s
Insulation resistance	≥ 100 MΩ

Associated products

Counterparts

☞ 1570 01	☞ 1573 01 V	☞ STO 1
☞ STO 2	☞ XSTO 1	

15

BTO 1

Designation	Pole Number	PU (Pieces)	MDQ (Pieces)
BTO 1 ROT (red)	2	200	600
BTO 1 SCHWARZ (black)	2	200	600

Packaging:

in bulk, in a cardboard box or a plastic bag