

03

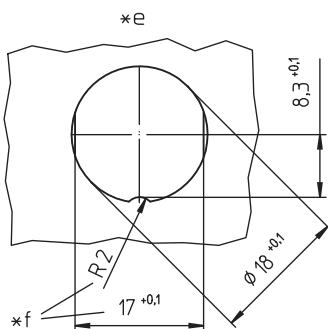
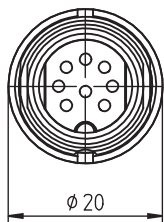
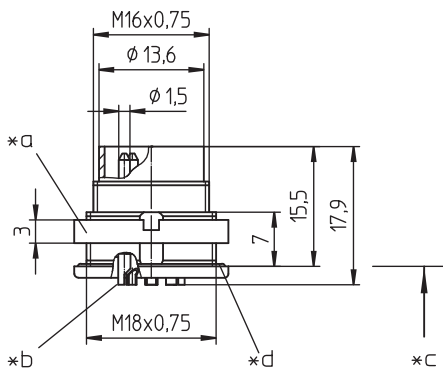
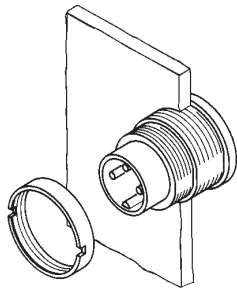
0315-1

Circular connectors with threaded joint M16 acc. to IEC 61076-2-106, IP40/IP68



Chassis plug acc. to AISG specification and IEC 61076-2-106, IP68, with threaded joint and solder terminals, for back side mounting

03 0315-1



**Environmental conditions**

Temperature range -40 °C/+85 °C

**Materials**

Insulating body PA GF, V-0 according to UL94  
 Contact pin CuZn, silver-plated and flash gold-plated  
 Housing Zn diecast, pre-copper and nickel-plated  
 Ring screw CuZn, nickel-plated  
 Seal NBR

**Mechanical data**

Tightening torque connector 1-3 Nm  
 Tightening torque nut 1-3 Nm  
 Protection class IP68<sup>1</sup>

<sup>1</sup> according to IEC DIN EN 60529, only in locked condition with an appropriate counterpart; IPX8 requirements under agreement between manufacturer and user

**Connectable conductors for solder area**

Section ≤ 0.75 mm<sup>2</sup> (AWG 20)

**Electrical data (at T<sub>amb</sub> 20 °C)**

Rated current 5 A (T<sub>amb</sub> 40 °C)  
 Rated voltage 100 V (with pollution degree 1)  
 32 V (with pollution degree 2)  
 Rated impulse voltage 500 V  
 Material group II (IEC)/I (UL) (400 ≤ CTI < 600)  
 Overvoltage category I  
 Insulation resistance > 100 MΩ

**Associated products**

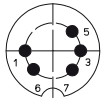
Counterparts  
 ☞ 0321 ☞ 0322 ☞ 0322-1  
 ☞ 032200 ☞ 0360 ☞ 036000  
 ☞ Weitere Produkte auf Anfrage ☞ Weitere Produkte auf Anfrage

Accessories  
 ☞ 0383 ☞ 038399 ☞ 0384  
 ☞ 0385 ☞ 038899

03

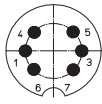
0315-1

Pin configurations, solder side view

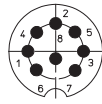


\*g

0315-1 05-3



0315-1 06-1



08-a

0315-1 08-1

- \*a nut enclosed separately
- \*b cup-shaped solder terminal
- \*c mounting direction
- \*d O-ring gasket
- \*e port in mounting plate
- \*f anti-rotation, alternative execution
- \*g pin configuration according to AISG C485

03

0315-1

Designation	Pole Number	PU (Pieces)	MDQ (Pieces)
0315-105-3	5	50	100
0315-108-1	8	50	100

**Packaging:**

in a cardboard box