


97 VARICON 7000-Unica-35

Tools and harnessing machines



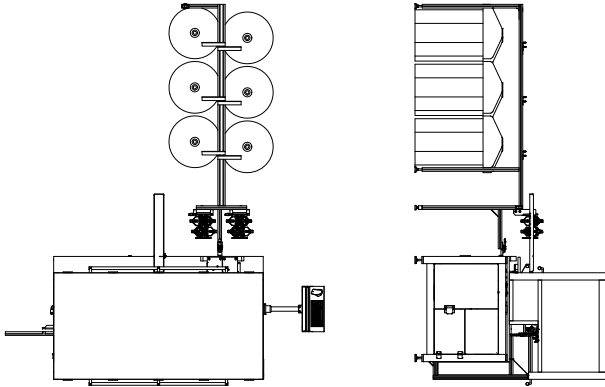
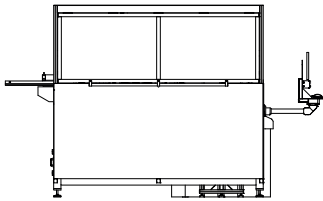
Fully automatic harnessing machine for termination of RAST 2.5 connectors in insulation displacement technology (IDT), for divers harness configurations

---

Approvals: 

---

97 VARICON 7000-Unica-35



**Range of application**

Connector	RAST 2.5 (351..., 352...)
Pole number	all available
Pitch	2.5/5.0 mm
State of delivery of connectors	in chain
Processable conductor	discrete conductor

**Features**

Application	high volume production
Stroke capacity	ca. 3600 contacts/h
Scope of functions and delivery	<ul style="list-style-type: none"> <li>- <b>Efficient connector loading</b></li> <li>- 1 RAST system loadable (RAST 2.5)</li> <li>- Detaching of connectors and cutting of RAST keyings</li> <li>- <b>Efficient cable loading</b></li> <li>- 6 cable barrels mountable in parallel</li> <li>- 2 different cables loadable in parallel (different types, sections, colors)</li> <li>- <b>Flexible cable processing</b></li> <li>- 1-to-n (U-type) and 1-to-1 (Z-type) harnesses</li> <li>- Crossed cables, bridged contacts and varying pitches in one harness</li> <li>- Multiple, arbitrary cable lengths in one harness (min. 60 mm, 30 mm on request, max. 1,500 mm)</li> <li>- Precise IDT termination</li> <li>- <b>Quality assurance</b></li> <li>- Mechanical testing units including RAST keying and cable end position tests</li> <li>- Electrical testing units, including continuity, high-voltage/short-circuit tests</li> <li>- Distruction of reject parts</li> <li>- <b>Finishing</b></li> <li>- Produced harnesses hanging straight or in loop for manual unloading; unloading into tubes on request</li> <li>- <b>Especially short changeover times</b></li> </ul>
Options	<ul style="list-style-type: none"> <li>- Special press die, required for 3517-5 (for 1 mm printed circuit board)</li> </ul>

**Dimensions and supply data**

Dimensions (H x W x D)	2100 mm x 3500 mm x 4700 mm
Weight	ca. 1500 kg
Electrical supply	400 V/50 Hz, 32 A
Compressed air supply	6 bar
Compressed air consumption	8–10 m <sup>3</sup> /h

**Associated products**

Accessories

☞ HZ35-V

Harnessing equipment

☞ 3510	☞ 3510-2	☞ 3511
☞ 3511-2	☞ 3512	☞ 3512-2

97 VARICON 7000-Unica-35

---

<a href="#">3513</a>	<a href="#">3513-2</a>	<a href="#">3515</a>
<a href="#">3515-2</a>	<a href="#">3516</a>	<a href="#">3516-2</a>
<a href="#">3517</a>	<a href="#">3517-2</a>	<a href="#">3517-4</a>
<a href="#">3517-5</a>	<a href="#">3518</a>	<a href="#">3518-2</a>
<a href="#">3518-4</a>	<a href="#">3520</a>	<a href="#">3520-2</a>
<a href="#">3521</a>	<a href="#">3521-2</a>	<a href="#">3522</a>
<a href="#">3522-2</a>	<a href="#">3523</a>	<a href="#">3523-2</a>

---

97 VARICON 7000-Unica-35

Designation	Pole Number	PU (Pieces)	MDQ (Pieces)
VARICON 7000-Unica-35	-	1	1